

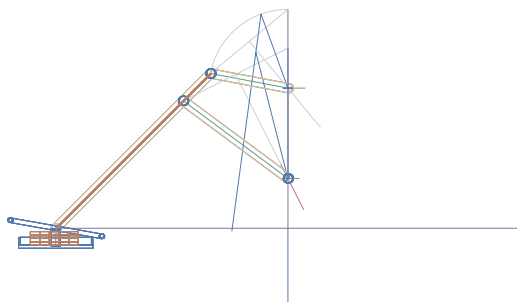
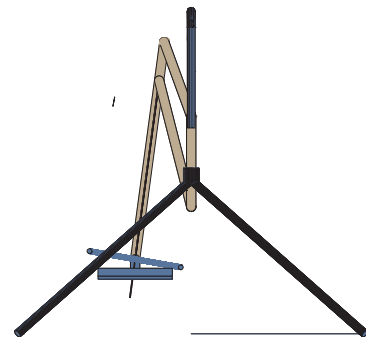
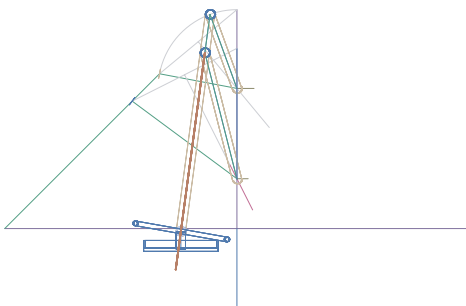
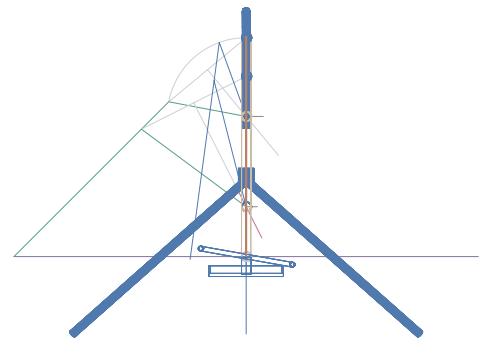
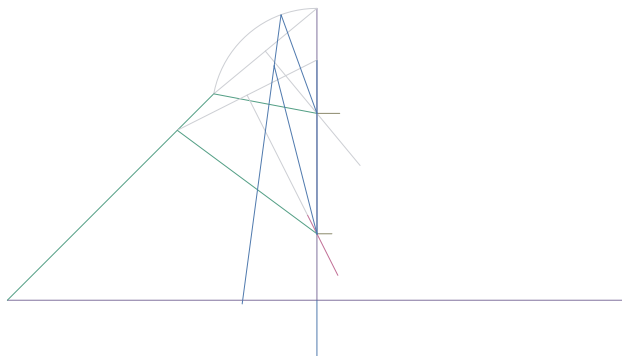
Challenge: SWING FOR TRANSPORT OF MATERIALS

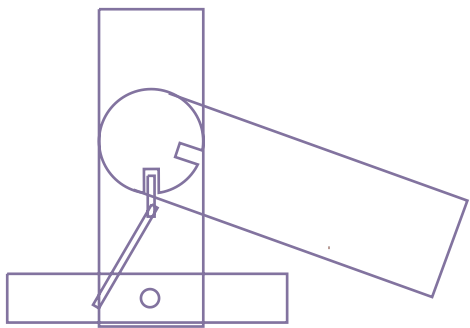
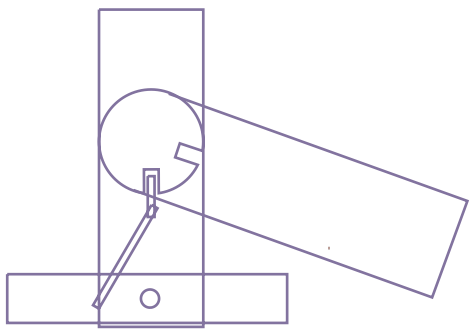
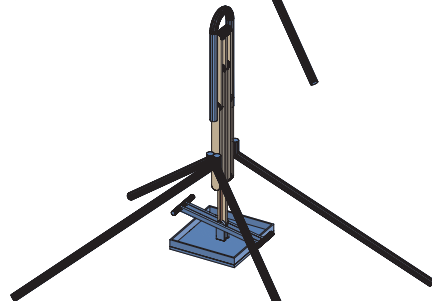
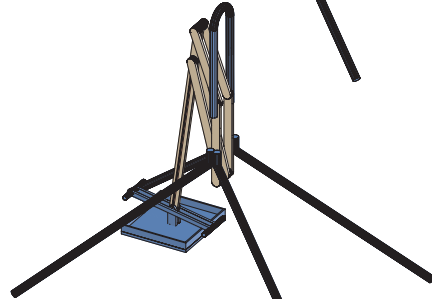
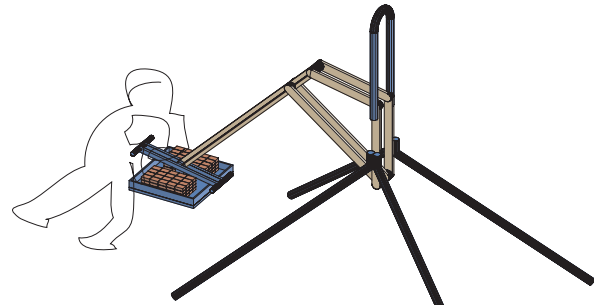
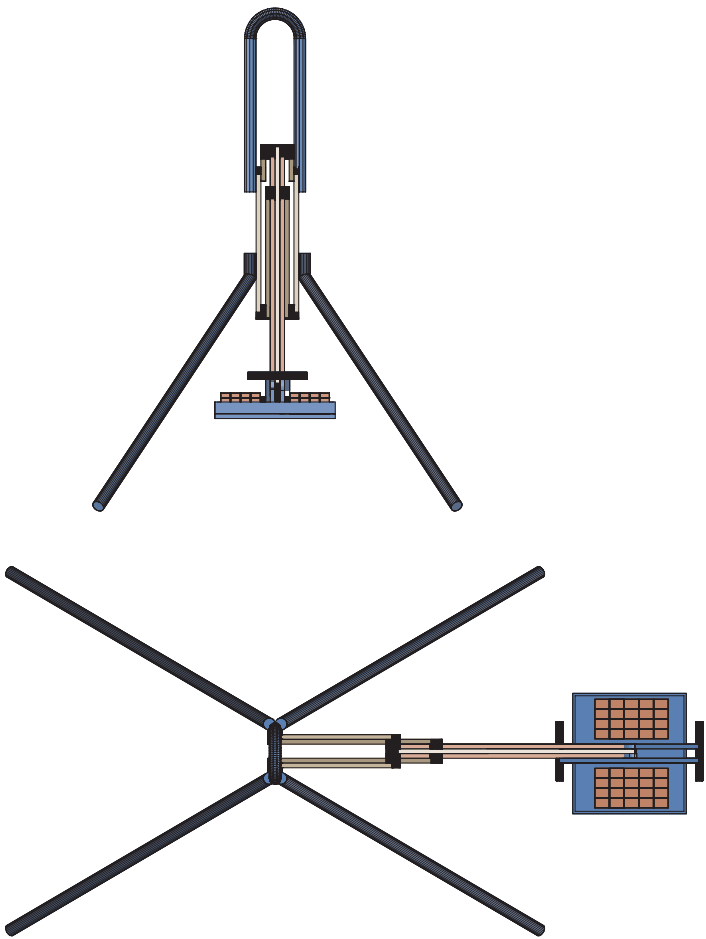
As a project for the students of a village, our group is experimenting with a simple swing for transport of materials (say stones, sand-bags, etc.). A tripod of appropriate height is erected and a coir swing with a basket at the bottom is attached. One person loads the materials and swings the basket, which is caught by the other man at the other end and the basket is emptied and sent back to the first man. Thus the material transfer is completed and continues..

We would like to add an automatic mechanical locking system at either end to stop the basket till filling / emptying..

The village group is enthusiastic about this crude idea and set up. This device helps the villagers in their day to day work..reducing physical strain. Can any one help ?

Posted by Panenghat on June 20, 2002 03:07 AM





locking mechanism

